



## Short Description

- Self-aligning construction
- Easy load cell access
- Stainless steel
- Lift-off protection
- Can be used with load cell models: BM11

## Available Models

Model	Capacity	Full Article Description	Part Number
BM-11-401	5 – 200kg	BM-11-401-5/200kg	20802000
	250 – 500kg	BM-11-401-250kg/500kg	20802010

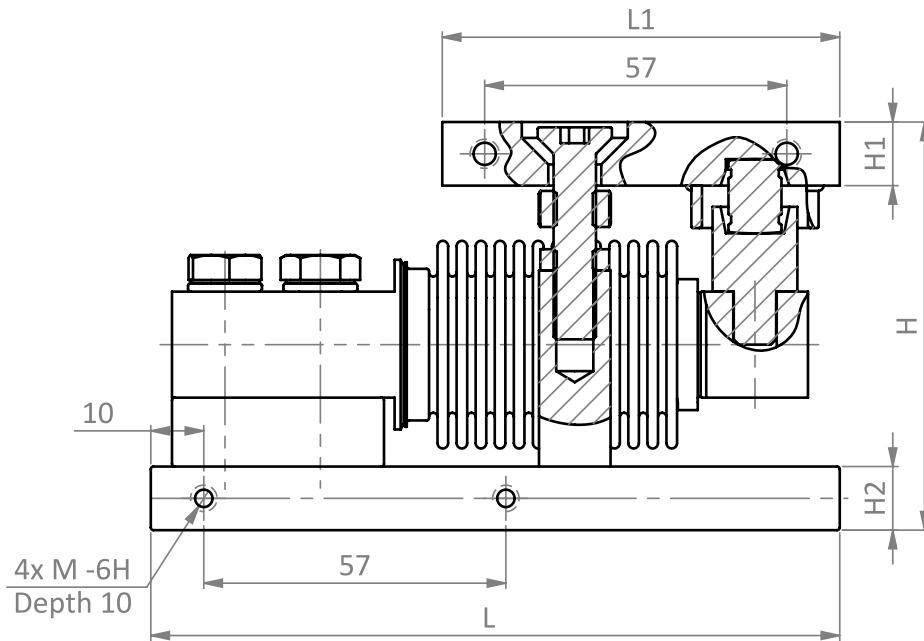
## Technical Specifications BM-11-401

Capacity with load cell	5 – 200kg	250 – 500kg
Maximum vertical force (down)	10 kN	30 kN
Maximum vertical force (up)	5 kN	10 kN
Maximum horizontal force	5 kN	15 kN
Maximum horizontal movement	+1 / -1 mm	+1 / -1 mm

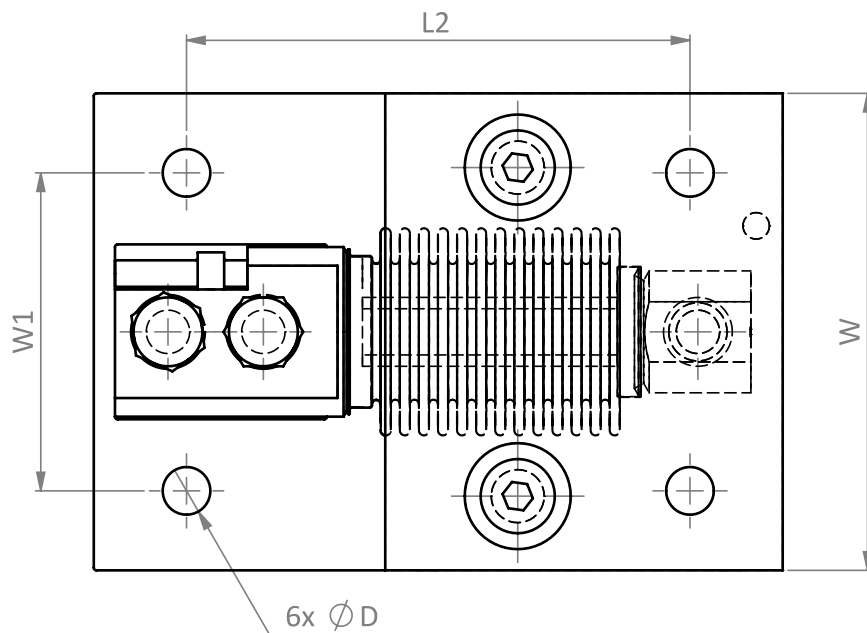
Specifications and dimensions are subject to change without notice and do not constitute any liability whatsoever.

## Dimensions in mm

### Side View



### Top View



Dimension \ Capacity	H	H1	H2	L	L1	L2	W	W1	ØD	M
5 – 200kg	77	12	12	130	75	95	90	60	9	M5
250 – 500kg	90	20	15	160	100	100	120	80	14	M5

Specifications and dimensions are subject to change without notice and do not constitute any liability whatsoever.