

Short Description



- Stainless steel load cell mount
- Self-aligning construction
- Easy load cell access
- Lift-off protection
- Can be used with load cell models: BM8G
- Mount delivered without a load cell. Load cell needs to be ordered separately

Available Models

Model	Capacity	Full Article Description	Part Number
BM-8-409	0.5 – 2t	BM-8-409-0.5t/2t tankmount BM8G	20850600
	5t – 7.5t	BM-8-409-5t/7.5t tankmount BM8G	20850610
	10t	BM-8-409-10t tankmount BM8G	20850620

Technical Specifications BM-8-409

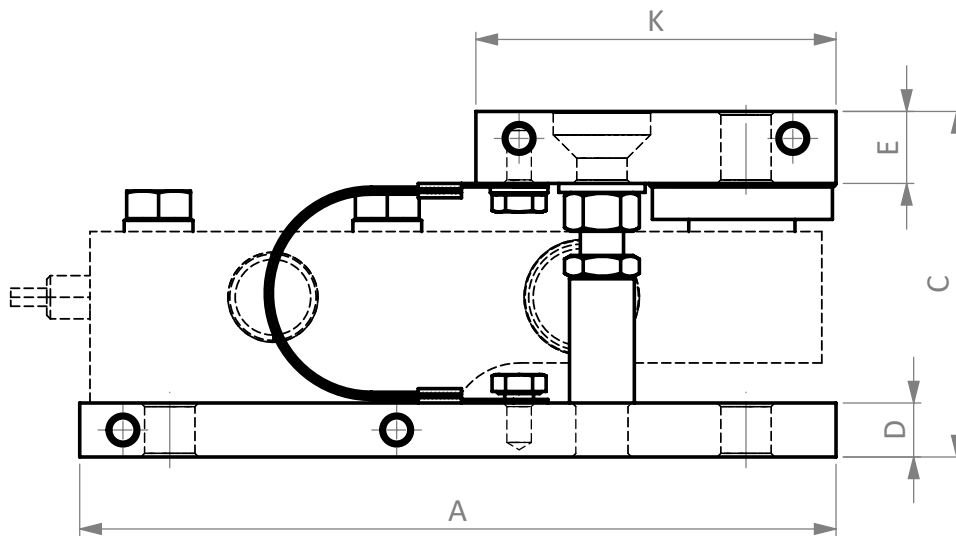
Capacity with load cell	0.5t – 2t	5t – 10t
Maximum vertical force (down)	15 kN	40 kN
Maximum vertical force (up)	10 kN	25 kN
Maximum horizontal force	5 kN	12 kN
Maximum horizontal movement	+2 / -2 mm	+2 / -2 mm

Note: Expressed maximum forces refer to this mount, without load cell installed.

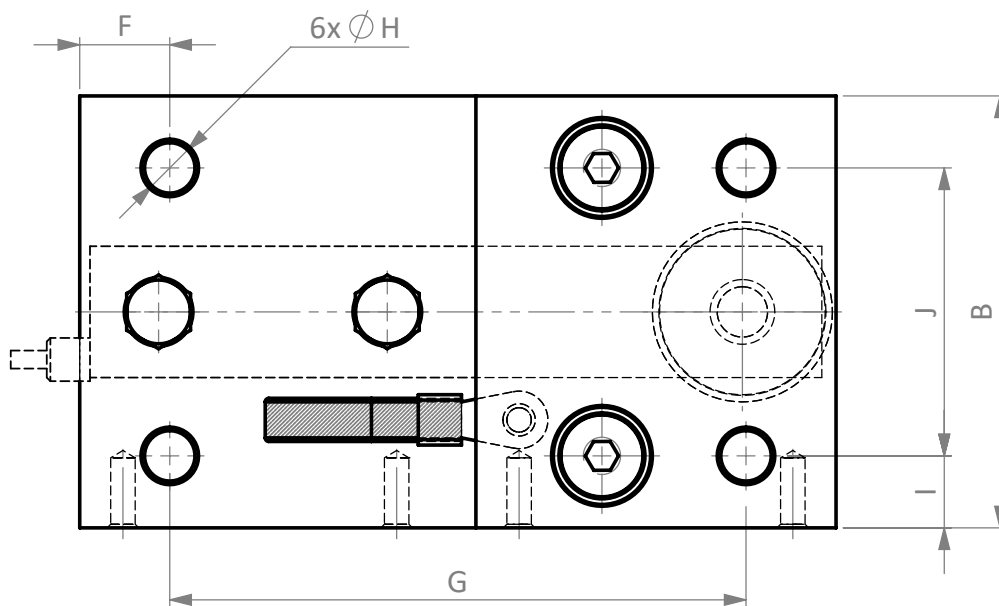
Specifications and dimensions are subject to change without notice and do not constitute any liability whatsoever.

Dimensions in mm

Side View



Top View



Dimension \ Capacity	A	B	C	D	E	F	G	ØH	I	J	K
0.5t – 2t	210	120	96	15	20	25	160	14	20	80	100
5t – 7.5t	250	150	135.5	20	20	25	200	18	25	100	120
10t	260	150	153	20	30	25	210	18	25	100	130