

Short Description

- Complete mounting set for quick and easy mounting
- This includes:
a loadcell dummy, transport plate, lift off protection and an earthing cable
- Stainless steel type 1.4301 (304)
- Mount delivered without working loadcell and without stay rod/rod end
Those parts need to be ordered separately
- To be used with Load Cell models: B8D

Available Models

Model	Capacity	Full Article Description	Part Number
BM-8-902	0.25t	BM-8-902-0.25t	20820530
	0.5t – 2t	BM-8-902-0.5t-2t	20820540
	5t	BM-8-902-5t	20820550
	0.1t – 2t	Rod End 0.1/2t Stainless Steel	20820680
	2.5t – 5t	Rod End 2.5/5t Stainless Steel	20820690

Technical Specifications BM-8-902

Capacity with load cell	0.25t – 2t	5t
Maximum vertical force (down) with dummy loadcell	15 kN	30 kN
Maximum vertical force (up)	15 kN	30 kN
Maximum horizontal force (with stay rod installed)	20 kN	40 kN
Maximum horizontal movement (without stay rod)	+1.5 / -1.5 mm	

Notes:

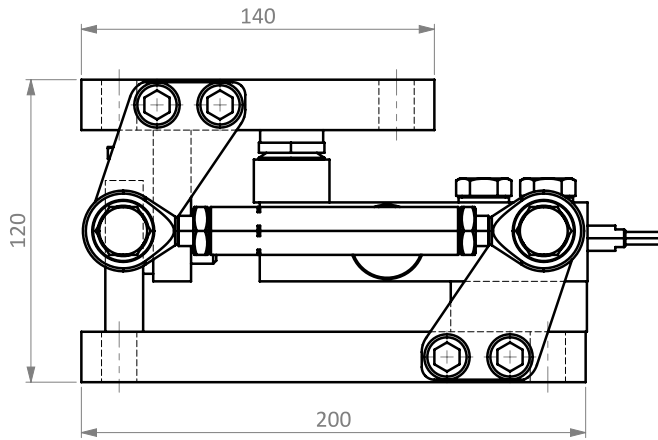
-When horizontal forces are expected in use, we recommend installing the stay rod.

Specifications and dimensions are subject to change without notice and do not constitute any liability whatsoever.

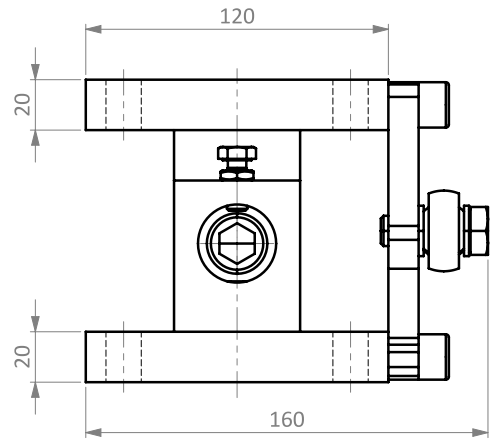
Dimensions in mm

0.25t – 2t

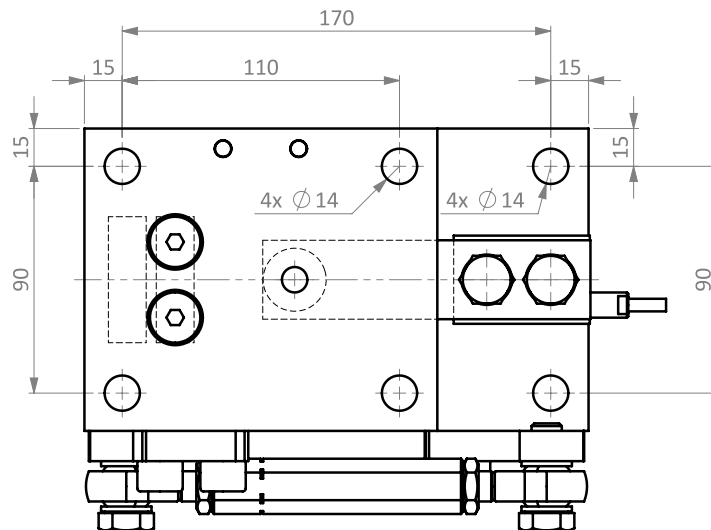
Side View



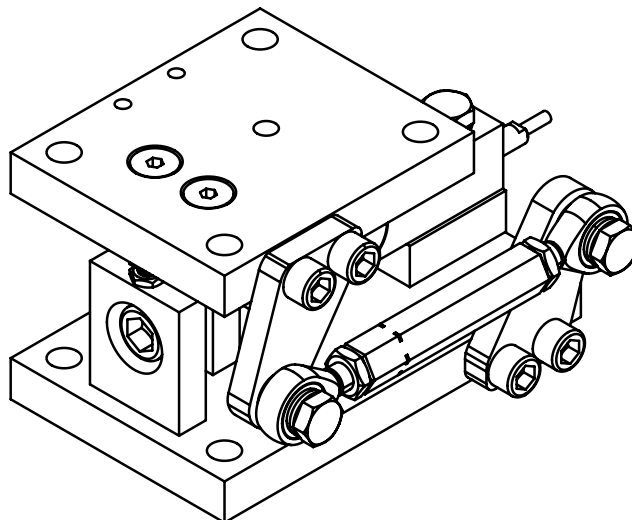
Front View



Top View



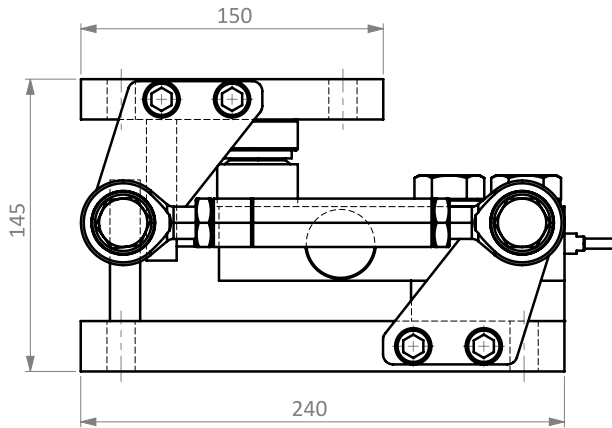
Isometric View



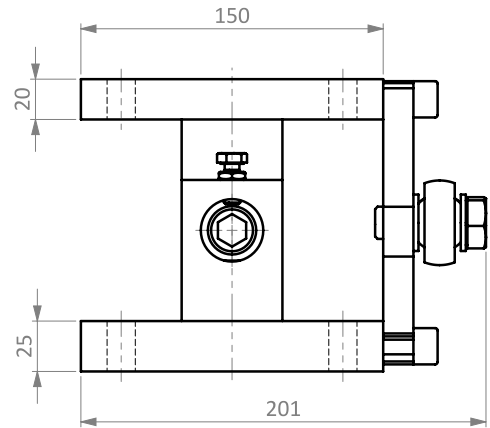
Specifications and dimensions are subject to change without notice and do not constitute any liability whatsoever.

5t

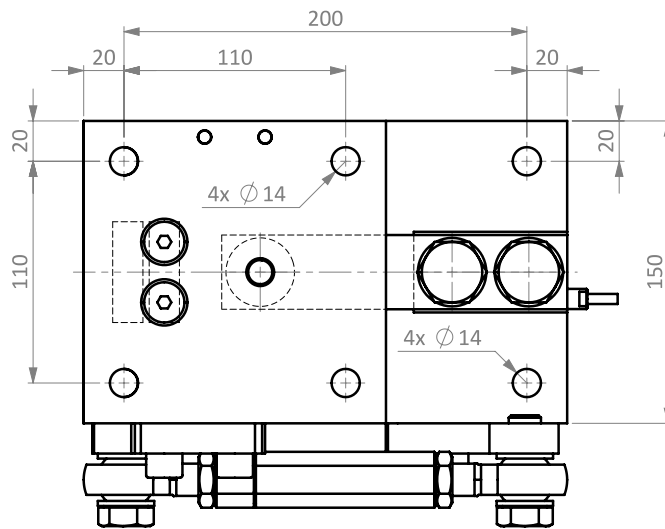
Side View



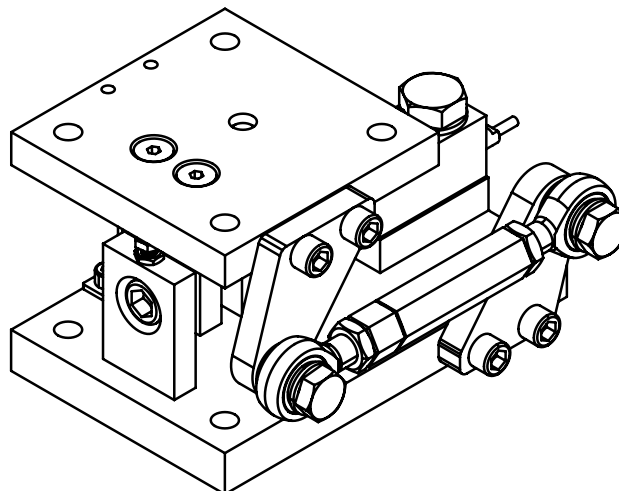
Front View



Top View



Isometric View



Specifications and dimensions are subject to change without notice and do not constitute any liability whatsoever.