

## Short Description

- Complete mounting set for quick and easy mounting
- This includes:  
a loadcell dummy, transport plate, lift off protection and an earthing cable
- Stainless steel type 1.4301 (304)
- Mount delivered without working loadcell and without stay rod/rod end  
Those parts need to be ordered separately
- To be used with Load Cell models: BM8D

## Available Models

Model	Capacity	Full Article Description	Part Number
BM-8-906	0.15t – 2t	BM-8-906-0.15/2t	20820640
	2.5t – 5t	BM-8-906-2.5/5t	20820650
	0.1t – 2t	Rod End 0.1/2t Stainless Steel	20820680
	2.5t – 5t	Rod End 2.5/5t Stainless Steel	20820690

## Technical Specifications BM-8-906

Capacity with load cell	0.15t – 2t	2.5 – 5t
Maximum vertical force (down) with dummy loadcell	15 kN	30 kN
Maximum vertical force (up)	15 kN	30 kN
Maximum horizontal force (with stay rod installed)	20 kN	40 kN
Maximum horizontal movement (without stay rod)	+1.5 / -1.5 mm	

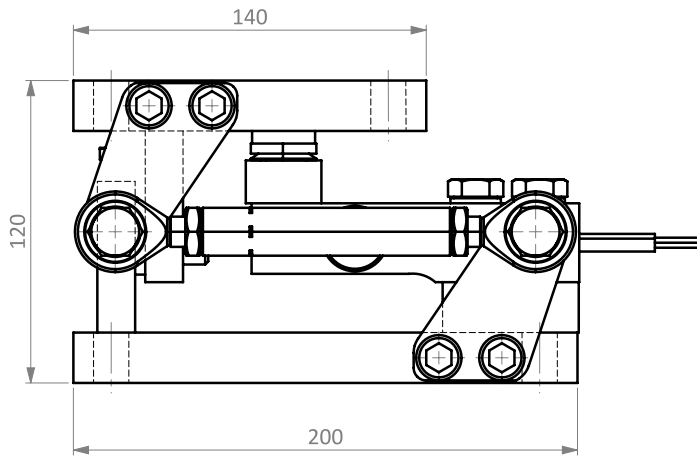
### Notes:

-When horizontal forces are expected in use, we recommend installing the stay rod.

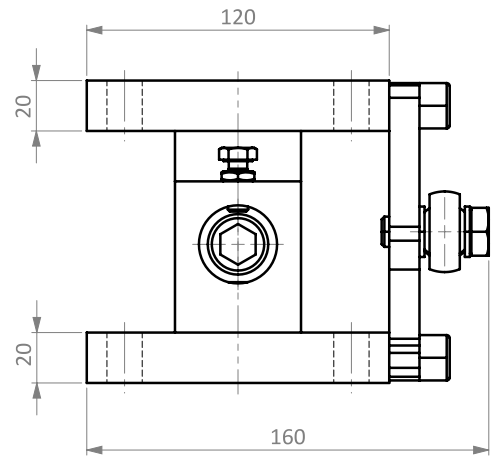
## Dimensions in mm

0.15t – 2t

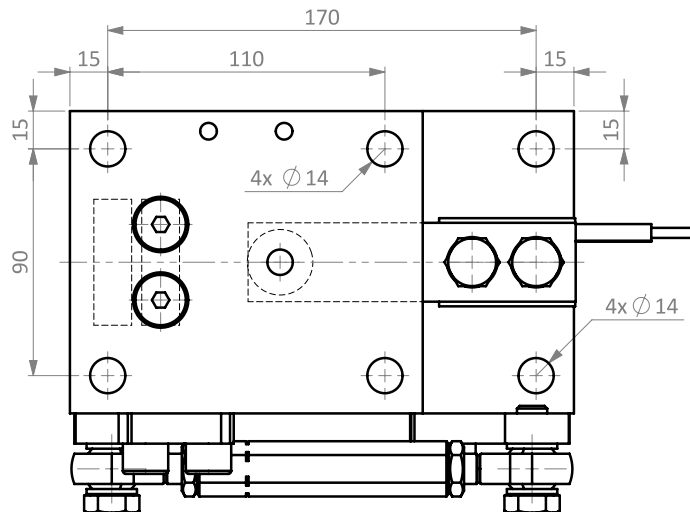
Side View



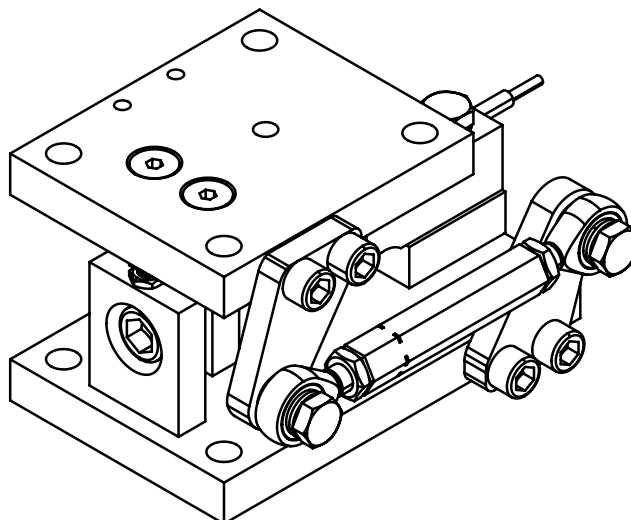
Front View



Top View



Isometric View

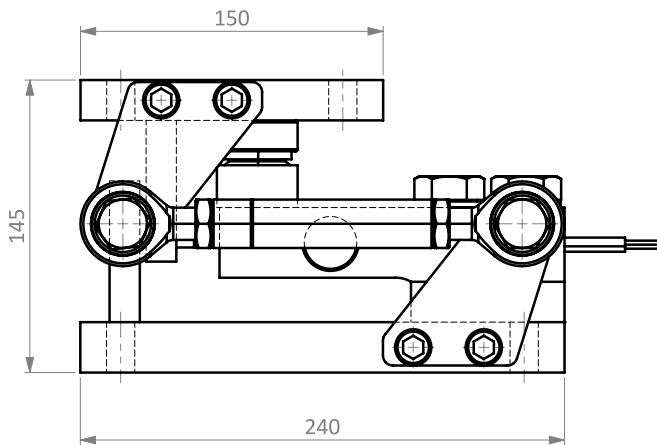


Specifications and dimensions are subject to change without notice and do not constitute any liability whatsoever.

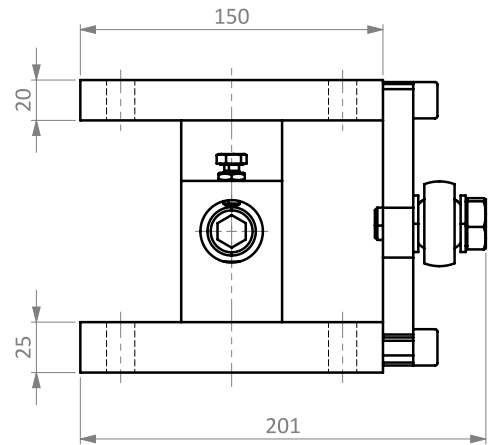
# Mounting Set Type BM-8-906

2.5t – 5t

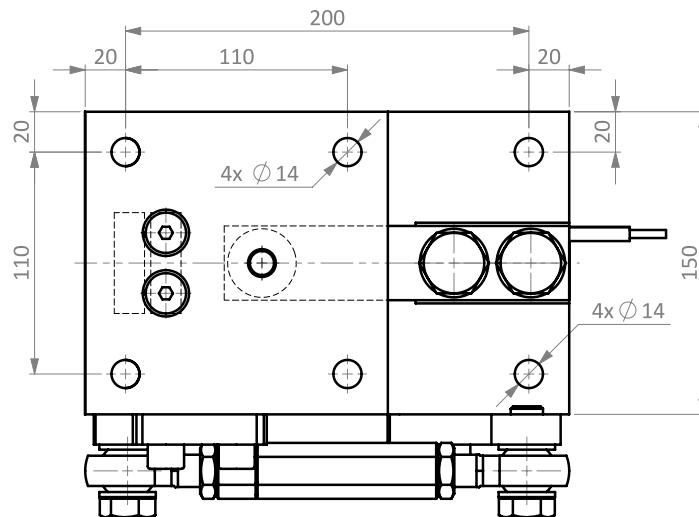
Side View



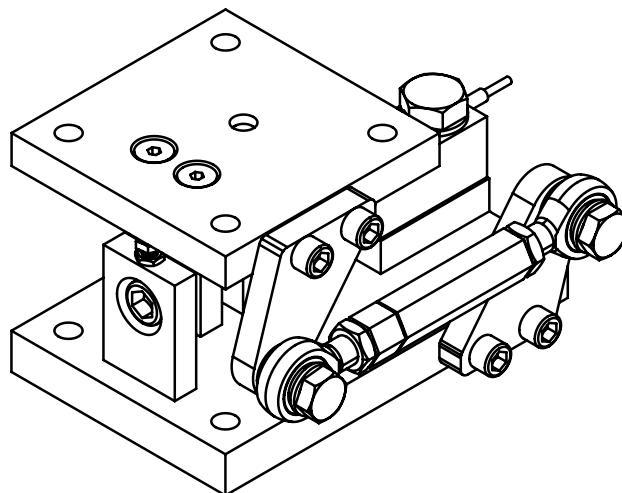
Front View



Top View



Isometric View



Specifications and dimensions are subject to change without notice and do not constitute any liability whatsoever.