

Short Description



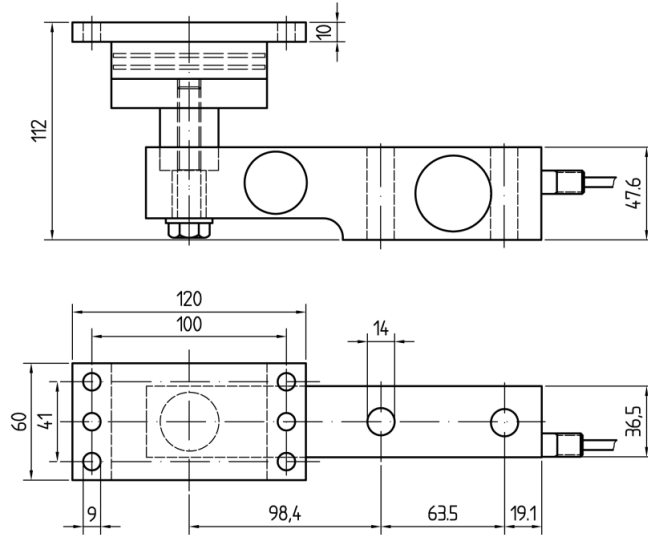
- Easy installation
- Suitable for shock load
- Made from galvanised construction steel & natural rubber
- Can be used with load cell model: BM8G
- Load cell is sold separately

Available Models

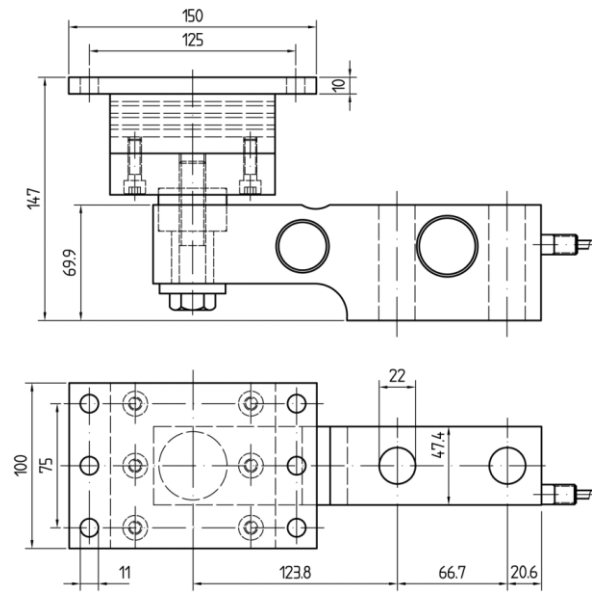
Model	Capacity	Full Article Description	Part Number
Elastomer BM8G	0.5t – 2t	Elastomer BM8G- 0.5 - 2t	20802430
	5t	Elastomer BM8G- 5t	20802420
	10t	Elastomer BM8G- 10t	20802410

Dimensions in mm

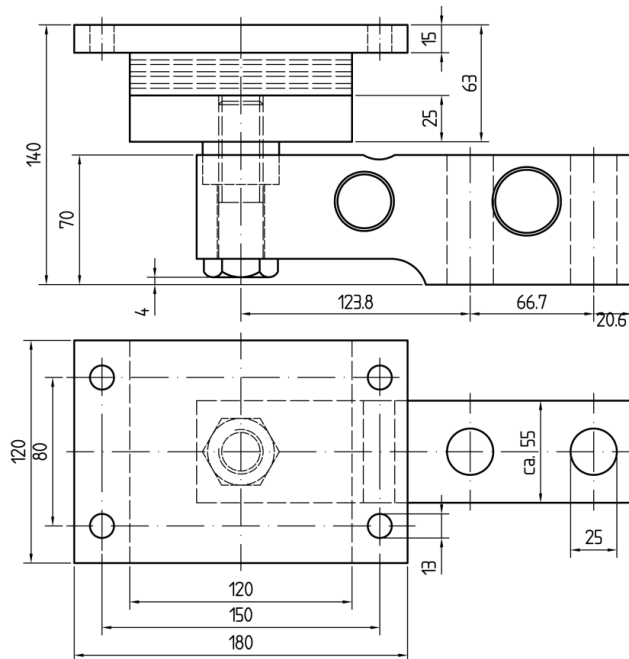
0.5 – 2t



5t



10t



Isometric View

