



## Short Description

- Stainless Steel 'Ball Foot' Mounting Kit
- Self-centralization with steel ball
- Can be used with load cell models: B8D and BM8D

## Available Models

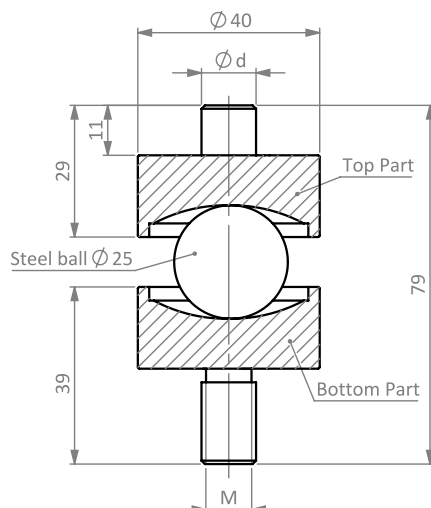
Model	Capacity	Full Article Description	Part Number
BY-8-104	0.5t – 2t	BY-8-104-0.5/2t	20807360
	2.5t – 5t	BY-8-104-2.5/5t	20807370

## Technical Specifications BY-8-104

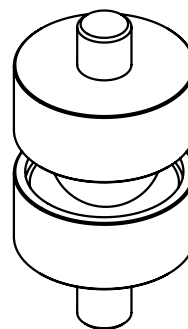
Capacity with load cell	0.5-2t	2.5-5t
Maximum vertical force (down)	20kN	50kN

## Dimensions in mm

### Side View



### Isometric View



Dimension Capacity	$\varnothing d$	M
0.5-2t	12	M12 x 1.75
2.5-5t	20	M20 x 2.5

Specifications and dimensions are subject to change without notice and do not constitute any liability whatsoever.