

# Type HM9C Load Cell



## Short description



- Nickel plated alloy steel IP68 dual shear beam load cell
- High accuracy
- Suitable for truck and track scales and other heavy weighing devices
- Hermetically sealed

 OIML Test certificate no. D09-06.46

## Available models

Capacity	Accuracy	Full article description
10Klb	C3	HM9C-C3-10K-9B
20Klb	C3	HM9C-C3-20K-9B
30Klb	C3	HM9C-C3-30K-9B
40Klb	C3	HM9C-C3-40K-9B
50Klb	C3	HM9C-C3-50K-9B
60Klb	C3	HM9C-C3-60K-9B
75Klb	C3	HM9C-C3-75K-9B

Specifications and dimensions are subject to change without notice and do not constitute any liability whatsoever.

# Type HM9C Load Cell

## Technical specifications HM9C

Accuracy class		OIML R60 C3		
Output sensitivity ( = FS )	mV/V	3.0 ± 0.008		
Maximum capacity ( E <sub>max</sub> )	Klb	10, 20, 30, 40, 50, 60, 75		
Max. number of load cell intervals	n <sub>LC</sub>	3000		
Ratio of min. LC verification interval	$Y = E_{max} / V_{min}$	10000		
Combined Error	%FS	≤± 0.0230		
Minimum dead load	Of E <sub>max</sub>	0%		
Safe overload	of E <sub>max</sub>	150 %		
Ultimate overload	of E <sub>max</sub>	300 %		
Zero balance	of FS	< ± 1.0 %		
Excitation, recommended voltage	V	5 ~ 12		
Excitation maximum	V	18		
Input resistance	Ω	700 ± 7		
Output resistance	Ω	700 ± 7		
Insulation resistance	MΩ	≥5000 ( at 50VDC )		
Compensated temperature	°C	-10 ~ +40		
Operating temperature	°C	-35 ~ +65		
Storage temperature	°C	-40 ~ +80		
Element material		Nickel plated alloy steel		
Ingress Protection (acc. to EN 60529)		IP68		
ATEX classification (optional)		II1G Ex ia II1C T4	II1D Ex iaD 20 T73°C	II3G nL IIC T4

## Wiring

### Features:

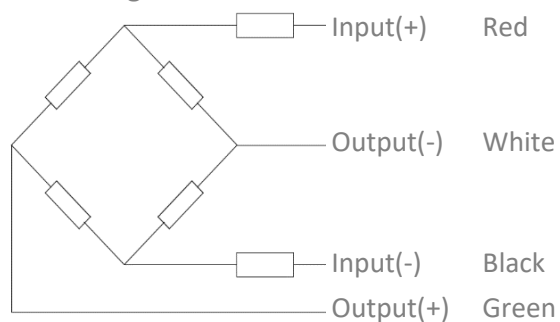
Shielded, 4 conductor cable

Cable diameter for 10k – 20k: Ø5mm and for 30k – 75k: Ø8mm

Standard cable length: 9m

Shield not connected to element

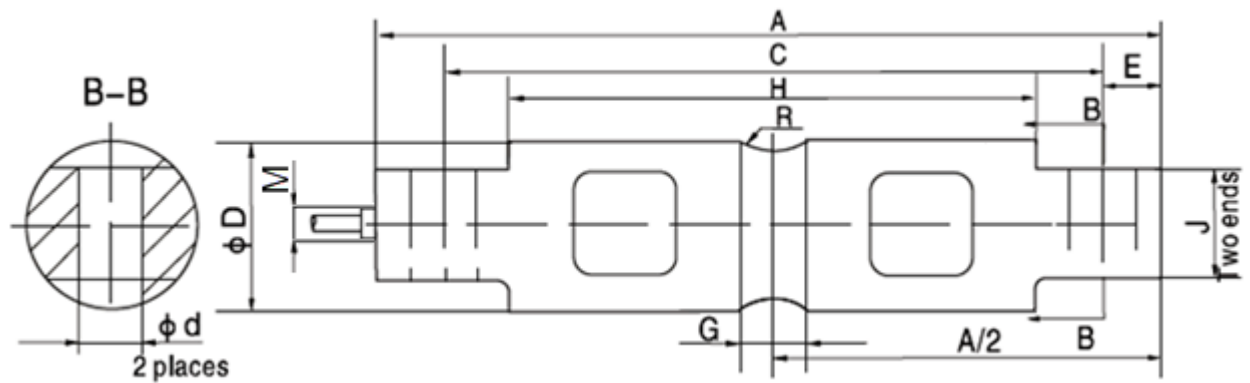
### 4-wire diagram



Specifications and dimensions are subject to change without notice and do not constitute any liability whatsoever.

# Type HM9C Load Cell

Dimensions in mm

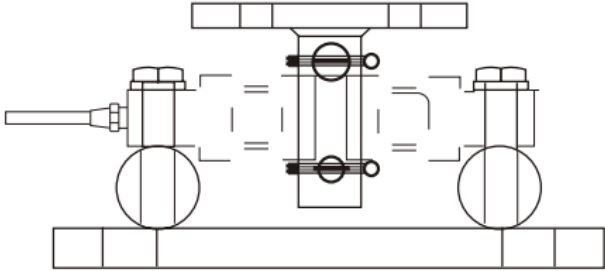
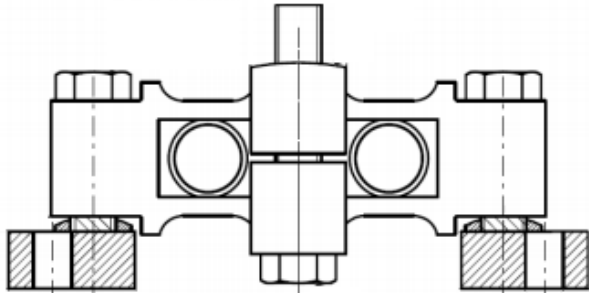
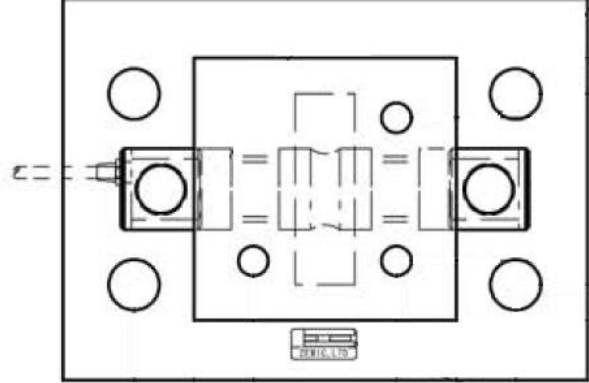


Dimension Capacity	A	C	H	G	ØD	J	Ød	R	E	M
10Klb	206.2	174.6	133.1	15.7	43.2	28.4	16.7	12.7	15.7	3/8-18 UNF-2B
15Klb, 20Klb	206.2	174.6	133.1	21.3	49.5	28.4	16.7	12.7	15.7	3/8-18 UNF-2B
30Klb-75Klb	260.4	215.9	165.1	25.4	76.2	60.2	26.9	25.4	22.4	3/8-18 UNF-2B

Specifications and dimensions are subject to change without notice and do not constitute any liability whatsoever.

# Type HM9C Load Cell

## Available accessories

<p><b>HM-9-401-5-250Klb Mount</b></p> <ul style="list-style-type: none"><li>• Easy installation</li><li>• Compact construction</li><li>• Anti-reversal ability</li><li>• Alloy steel</li><li>• Using under heavy static or slight dynamic load</li></ul>	
<p><b>HM-9-405-30-75Klb Mount</b></p> <ul style="list-style-type: none"><li>• Alloy steel</li><li>• No horizontal movement</li></ul>	
<p><b>HM-9-409-5-20Klb</b></p> <ul style="list-style-type: none"><li>• Easy installation</li><li>• Compact construction</li><li>• Anti-reversal ability</li><li>• Alloy steel</li><li>• Using under heavy static or slight dynamic load</li></ul>	

Specifications and dimensions are subject to change without notice and do not constitute any liability whatsoever.