



Short Description

- Height adjustable “T-end”- foot
- Easy installation
- Stainless steel
- Can be used with load cell models: BM8D-W6

Available Models

Model	Capacity	Full Article Description	Part Number
BJ-8-249	0.1t/2t	BJ-8-249-0.1/2t T-end Foot	20801250

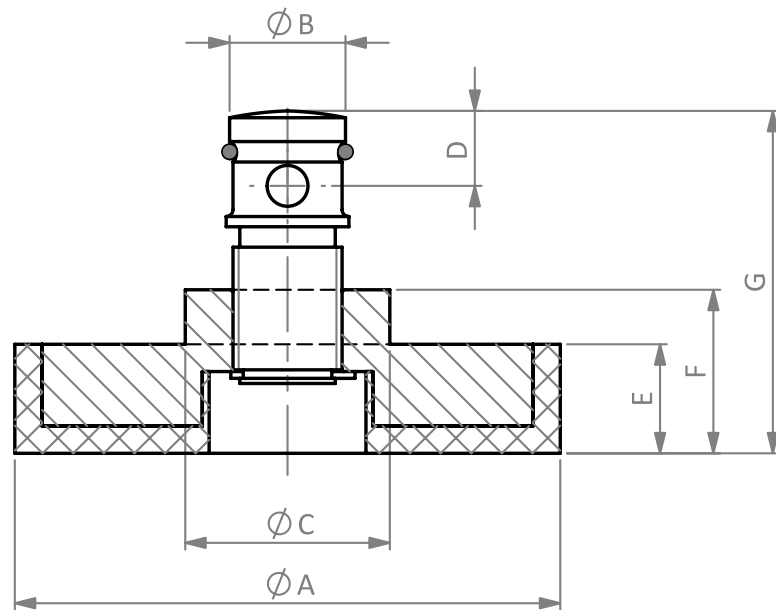
Technical Specifications BJ-8-249

Capacity	0.1t – 2t
Maximum vertical force (down)	20 kN
Maximum horizontal force	5 kN

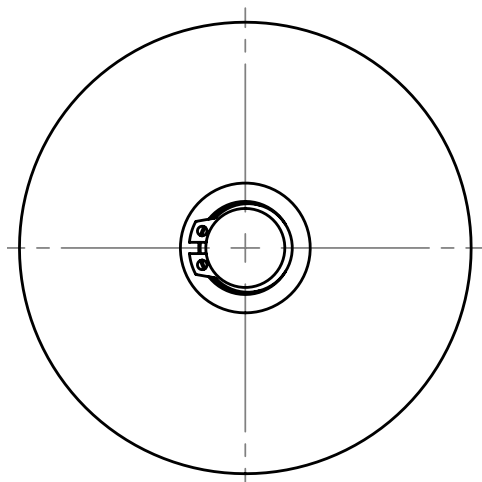
Specifications and dimensions are subject to change without notice and do not constitute any liability whatsoever.

Dimensions in mm

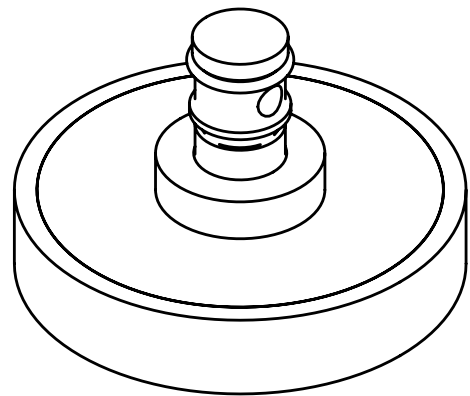
Side View



Bottom View



Isometric View



Dimension	A	B	C	D	E	F	G
Capacity							
0.1t – 2t	80	17	30	11	16	24	41 – 51