



Short Description



- Aluminium-alloy IP65 load cell
- Suitable for rope force measurement
- Loadcell will be delivered with installation set

Available Models

Capacity	Accuracy	Full Article Description	Part Number
4000 kg	D0.2	L8C-D0.2-4t-1.2B Rope Clamp	80060400

Technical Specifications L8C-D0.2-4t-1.2B

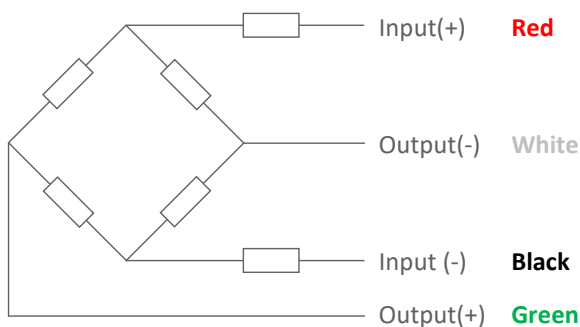
Maximum Capacity (E_{max})	kg	4000
Output Sensitivity (= FS)	mV/V	2.0 ± 0.2
Accuracy Class		D0.2
Max. Number of Load Cell Intervals	n_{LC}	200
Ratio of min. LC Verification Interval	$Y = E_{max} / v_{min}$	280
Combined Error	%FS	$\leq \pm 0.5$
Creep Error (5 minutes)	%FS	$\leq \pm 0.5$
Hysteresis	%FS	$\leq \pm 0.5$
Temperature Effect on Zero (ZTC)	%FS/10°C	$\leq \pm 0.5$
Temperature Effect on Sensitivity (STC)	%FS/10°C	$\leq \pm 0.6$
Zero Balance	%FS	$\leq \pm 0.1$
Safe Overload	%FS	120
Ultimate Overload	%FS	150
Excitation, Recommended Voltage	V	5 ~ 12
Excitation, Maximum Voltage	V	18
Input Resistance	Ω	350 ± 5
Output Resistance	Ω	350 ± 5
Insulation Resistance (50V)	M Ω	≥ 5000
Compensated Temperature	°C	-10 ~ + 40
Operating Temperature	°C	-10 ~ + 50
Storage Temperature	°C	-35 ~ + 70
Load Cell Weight	kg	~0.41
Element Material		Aluminium
Ingress Protection (acc. to EN 60529)		IP65

Wiring

Features:

Cable type: Shielded, 4 conductor cable, conductor AWG: 26
 Cable diameter: \varnothing 3.8mm
 Cable length: $1.2m \pm 0.05m$
 Cable jacket: PVC
 Shield not connected to element

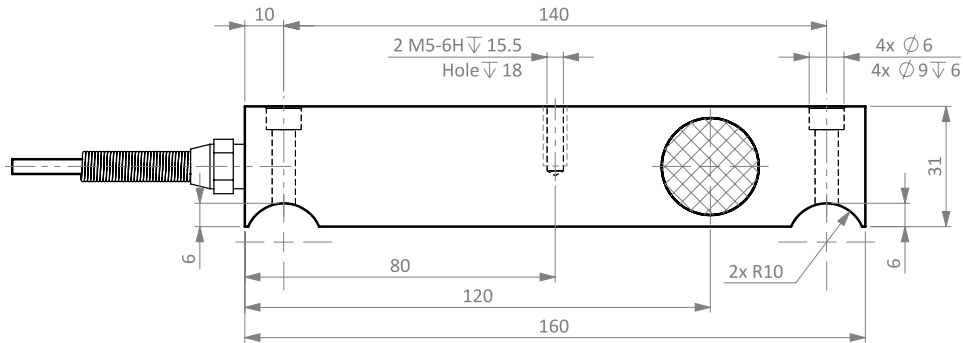
4-Wire Connection Diagram



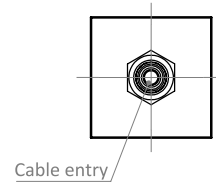
Type L8C Rope Clamp Load Cell

Dimensions in mm

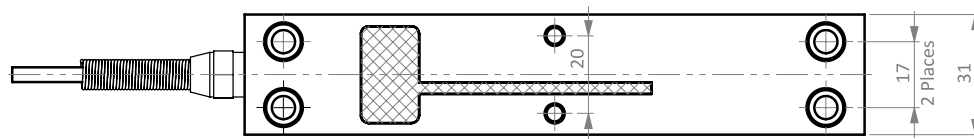
Load Cell Front View



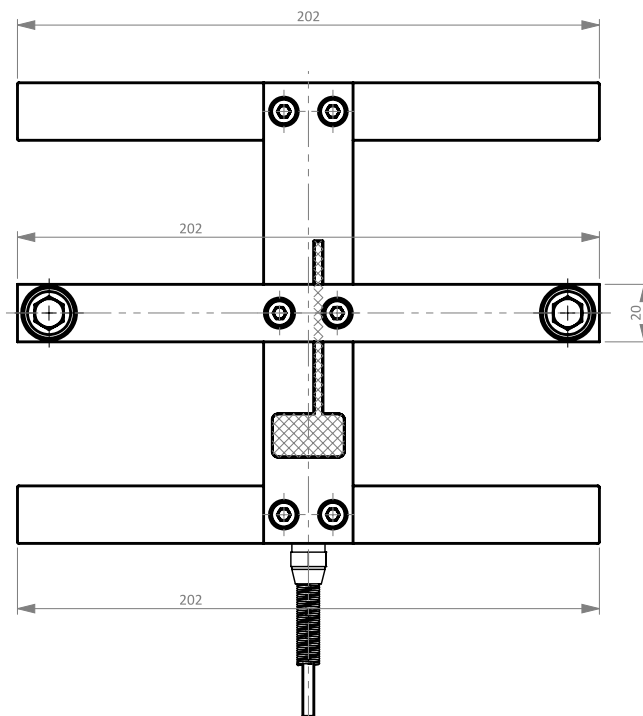
Side View



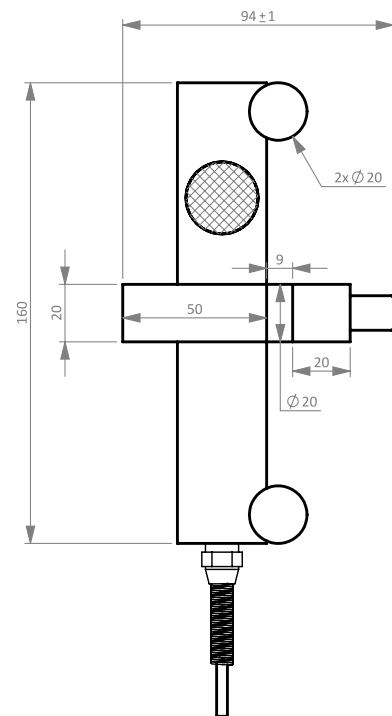
Load Cell Top View



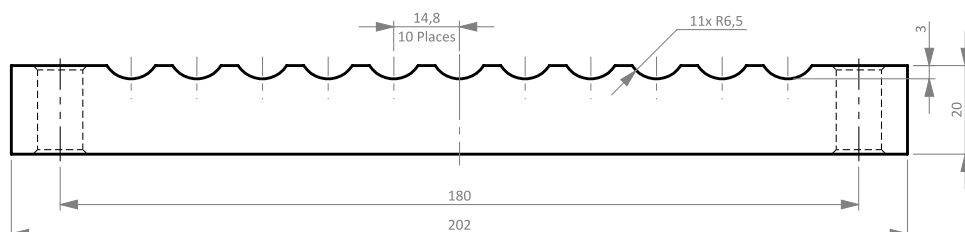
Full Assembly Back View



Side View



Rope Clamp Top View



Specifications and dimensions are subject to change without notice and do not constitute any liability whatsoever.