

Type 1B-S Load Cell



Short description



- Aluminium bending miniature sensor
- High accuracy
- Used for portable scales

Available models

Capacity	Accuracy	Full article description
5kg	0.03%	1B-S-5kg-0.2B
6kg	0.03%	1B-S-6kg-0.2B
10kg	0.03%	1B-S-10kg-0.2B
12kg	0.03%	1B-S-12kg-0.2B
15kg	0.03%	1B-S-15kg-0.2B
20kg	0.03%	1B-S-20kg-0.2B
50kg	0.03%	1B-S-50kg-0.2B
70kg	0.03%	1B-S-70kg-0.2B

Specifications and dimensions are subject to change without notice and do not constitute any liability whatsoever.

Type 1B-S Load Cell

Detailed specifications 1B-S

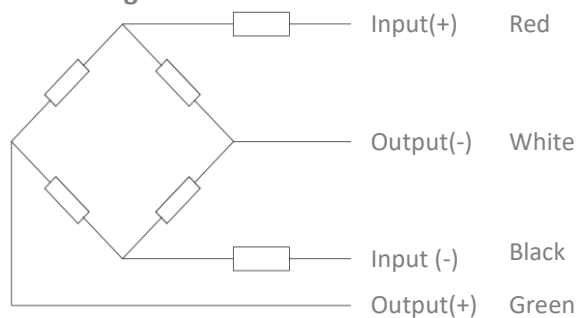
Accuracy class	of FS	0.03%
Output sensitivity (= FS)	mV/V	1.8±0.1
Maximum capacity (E _{max})	kg	5, 6, 10, 12, 15, 20, 50, 70
Temperature effect on zero	%FS/10°C	±0.3
Temperature effect on Sensitivity	%FS/10°C	±0.03
Minimum dead load	of E _{max}	0%
Safe overload	of E _{max}	150 %
Ultimate overload	of E _{max}	300%
Zero output	mV/V	≤ ± 0.1
Excitation, recommended voltage	V	5 ~ 9
Excitation maximum	V	18
Input resistance	Ω	1055 ± 10
Output resistance	Ω	1000 ± 10
Insulation resistance	MΩ	≥3000 (at 50VDC)
Compensated temperature	°C	-10 ~+40
Operating temperature	°C	-15 ~ +50
Storage temperature	°C	-20 ~ +65
Element material		Aluminium
Creep	%FS	±0.03
Non-linearity	%FS	±0.03
Repeatability	%FS	±0.03
Hysteresis	%FS	±0.03

Wiring

Wiring:

4 separate conductor cables.
Standard cables length: 0.19m.

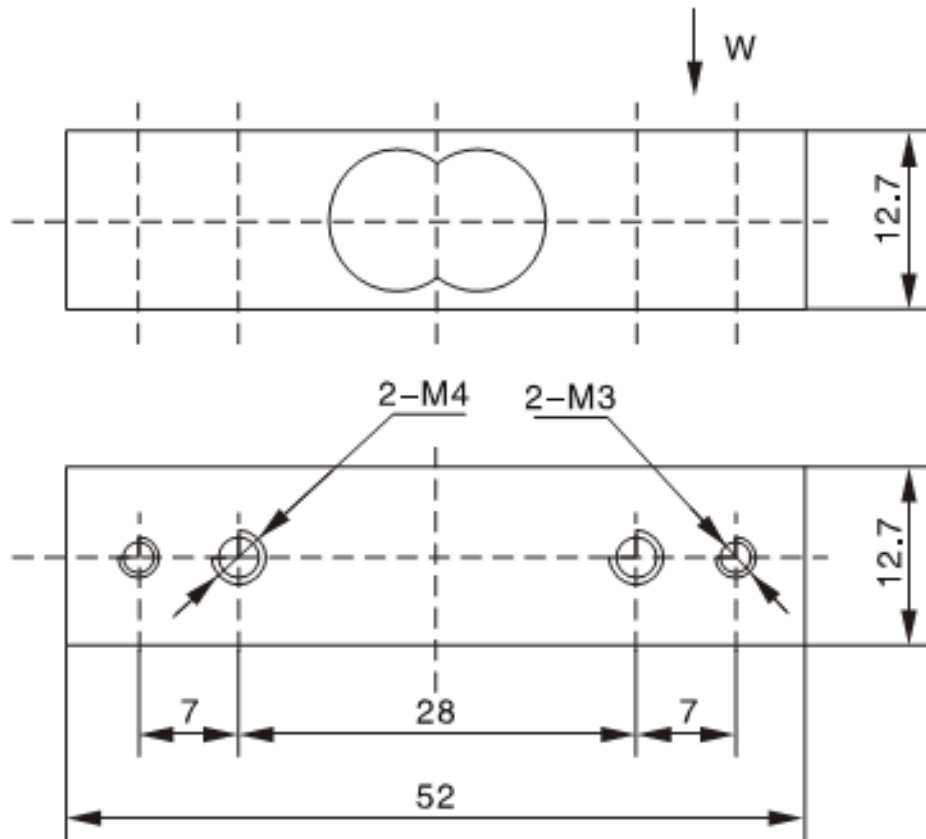
4-wire diagram



Specifications and dimensions are subject to change without notice and do not constitute any liability whatsoever.

Type 1B-S Load Cell

Dimensions in mm



Specifications and dimensions are subject to change without notice and do not constitute any liability whatsoever.