

Type 1F6-S Miniature Sensor



Short description



- Aluminium bending miniature sensor
- High accuracy
- Used for kitchen scales

Available models

Capacity	Accuracy	Full article description
2kg	0.05%	1F6-S-75*12.7*12.7-2kg
3kg	0.05%	1F6-S-75*12.7*12.7-3kg
5kg	0.05%	1F6-S-75*12.7*12.7-5kg
6kg	0.05%	1F6-S-75*12.7*12.7-6kg

Specifications and dimensions are subject to change without notice and do not constitute any liability whatsoever.

Type 1F6-S Miniature Sensor

Detailed specifications 1F6-S

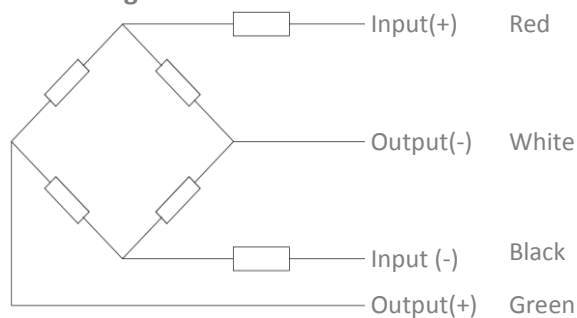
Accuracy class	of FS	0.05%
Output sensitivity (= FS)	mV/V	1.0±0.1
Maximum capacity (E _{max})	Kg	2, 3, 5, 6
Temperature effect on zero	%FS/10°C	±0.3
Temperature effect on Sensitivity	%FS/10°C	±0.1
Minimum dead load	of E _{max}	0%
Safe overload	of E _{max}	150 %
Ultimate overload	of E _{max}	300%
Zero output	mV/V	≤ ± 0.2
Excitation, recommended voltage	V	5 ~ 9
Excitation maximum	V	10
Input resistance	Ω	1050 ± 10
Output resistance	Ω	1000 ± 10
Insulation resistance	MΩ	≥2000 (at 50VDC)
Compensated temperature	°C	-10 ~+40
Operating temperature	°C	-10 ~ +40
Storage temperature	°C	-20 ~ +65
Element material		Aluminium
Creep	%FS/5 min	±0.05
Non-linearity	%FS	±0.05
Repeatability	%FS	±0.05
Hysteresis	%FS	±0.05

Wiring

Wiring:

4 separate conductor cables.
Standard cables length: 0.25m.

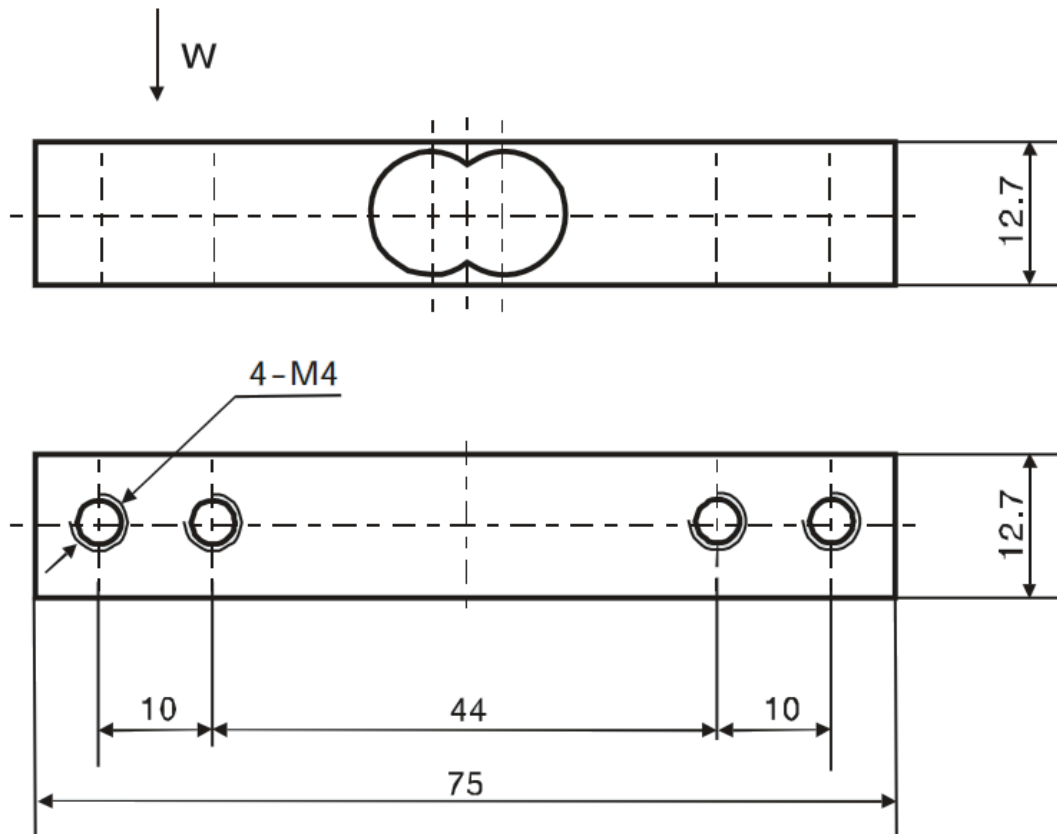
4-wire diagram



Specifications and dimensions are subject to change without notice and do not constitute any liability whatsoever.

Type 1F6-S Miniature Sensor

Dimensions in mm



Specifications and dimensions are subject to change without notice and do not constitute any liability whatsoever.