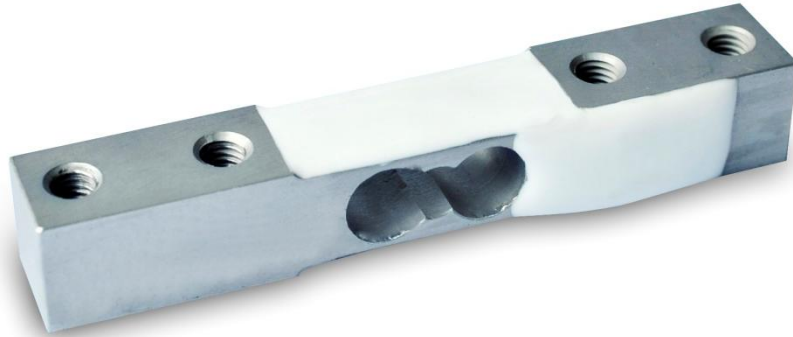


Type 1HM Miniature Sensor



Short description



- Aluminium bending miniature sensor
- High accuracy
- Used for kitchen and postage scales

Available models

Capacity	Accuracy	Full article description
0.5kg	0.02%	1HM-80*12.7-12.7-0.5kg
1kg	0.02%	1HM-80*12.7*12.7-1kg
5kg	0.02%	1HM-80*12.7*12.7-5kg
8kg	0.02%	1HM-80*12.7*12.7-8kg
20kg	0.02%	1HM-80*12.7*12.7-20kg

Specifications and dimensions are subject to change without notice and do not constitute any liability whatsoever.

Type 1HM Miniature Sensor

Detailed specifications 1HM

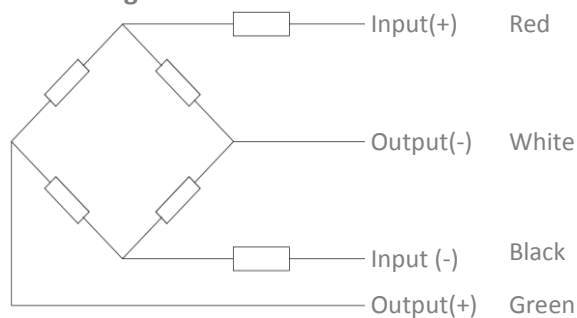
Accuracy class	of FS	0.02%	
Output sensitivity (= FS)	mV/V	1.0±0.15	1.5±0.1
Maximum capacity (E _{max})	Kg	0.5, 1	5, 8, 20
Temperature effect on zero	%FS/10°C	±0.2	
Temperature effect on Sensitivity	%FS/10°C	±0.03	
Minimum dead load	of E _{max}	0%	
Safe overload	of E _{max}	150 %	
Ultimate overload	of E _{max}	300%	
Zero output	mV/V	≤ ± 0.1	
Excitation, recommended voltage	V	5 ~ 9	
Excitation maximum	V	10	
Input resistance	Ω	1055 ± 10	
Output resistance	Ω	1000 ± 10	
Insulation resistance	MΩ	≥2000 (at 50VDC)	
Compensated temperature	°C	-10 ~ +40	
Operating temperature	°C	-10 ~ +40	
Storage temperature	°C	-20 ~ +65	
Element material		Aluminium	
Creep	%FS/5 min	±0.02	
Non-linearity	%FS	±0.02	
Repeatability	%FS	±0.02	
Hysteresis	%FS	±0.02	

Wiring

Wiring:

4 separate conductor cables.
Standard cables length: 0.25m.

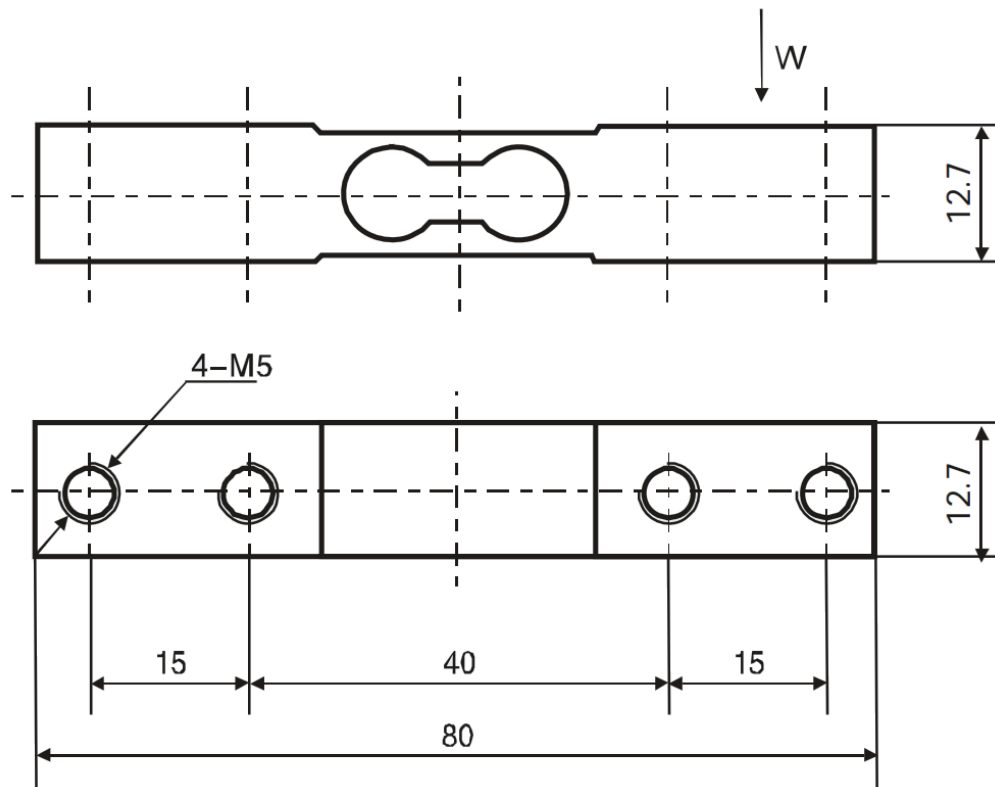
4-wire diagram



Specifications and dimensions are subject to change without notice and do not constitute any liability whatsoever.

Type 1HM Miniature Sensor

Dimensions in mm



Specifications and dimensions are subject to change without notice and do not constitute any liability whatsoever.