

Type 1P Miniature Sensor



Short description



- Aluminium bending miniature sensor
- High accuracy
- Used for electronic balances

Available models

Capacity	Accuracy	Full article description
40kg	0.03%	1P-1.8-40kg
75kg	0.03%	1P-1.8-75kg

Specifications and dimensions are subject to change without notice and do not constitute any liability whatsoever.

Type 1P Miniature Sensor

Detailed specifications 1P

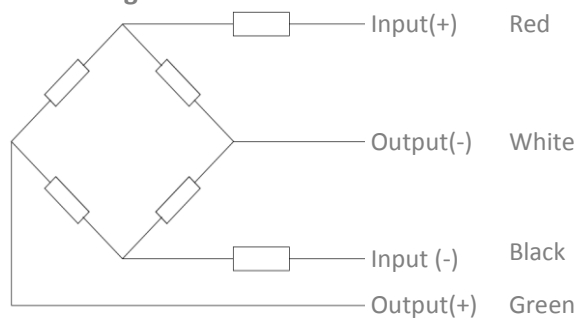
Accuracy class	of FS	0.03%
Output sensitivity (= FS)	mV/V	2.0±0.2
Maximum capacity (E _{max})	kg	40, 75
Temperature effect on zero	%FS/10°C	±0.1
Temperature effect on Sensitivity	%FS/10°C	±0.03
Minimum dead load	of E _{max}	0%
Safe overload	of E _{max}	150 %
Ultimate overload	of E _{max}	300%
Zero output	mV/V	≤ ± 2.0
Excitation, recommended voltage	V	5 ~ 9
Excitation maximum	V	12
Input resistance	Ω	1070 ± 10
Output resistance	Ω	1000 ± 10
Insulation resistance	MΩ	≥3000 (at 50VDC)
Compensated temperature	°C	-10 ~+40
Operating temperature	°C	-10 ~ +40
Storage temperature	°C	-20 ~ +65
Element material		Aluminium
Creep	%FS/30 min	±0.03
Non-linearity	%FS	±0.02
Repeatability	%FS	±0.02
Hysteresis	%FS	±0.03

Wiring

Wiring:

4 separate conductor cables.
Standard cables length: 0.25m.

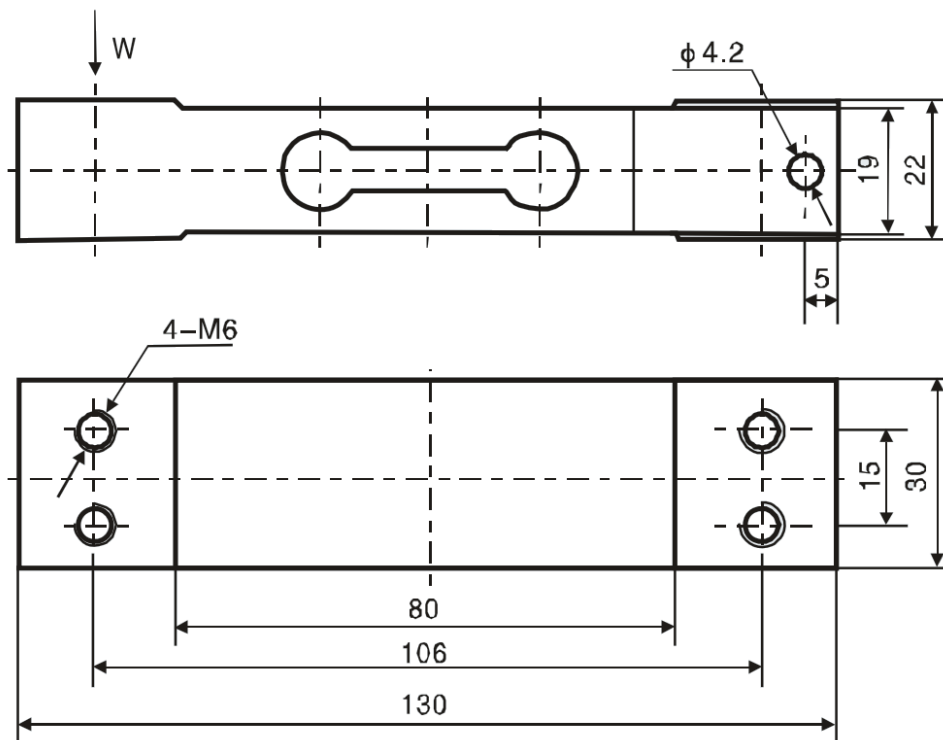
4-wire diagram



Specifications and dimensions are subject to change without notice and do not constitute any liability whatsoever.

Type 1P Miniature Sensor

Dimensions in mm



Specifications and dimensions are subject to change without notice and do not constitute any liability whatsoever.