

Type B8D Load Cell



Short description



- Stainless steel IP67 shear beam load cell (250kg is bending beam load cells)
- Suitable for floor scales, automobile test facilities, hopper scales and other weighing devices
- Current calibrated (sc-option)



Test certificate no. TC8010 Revision 0 and D09-05.19

C of C no R60/2000-NL1-11.28 and

R60/2000-CN1-06.05

Certificate no. 12-022



Available models

Capacity	Accuracy	Full article description
250kg	C3/C4/C5	B8D-C3/C4/C5-250kg-6B(-W6)
500kg	C3/C4/C5	B8D-C3/C4/C5-500kg-6B(-W6)
1t	C3	B8D-C3-1t-6B(-W6)
2t	C3	B8D-C3-2t-6B(-W6)
5t	C3	B8D-C3-5t-6B(-W6)

Specifications and dimensions are subject to change without notice and do not constitute any liability whatsoever.

Type B8D Load Cell

Technical specifications B8D

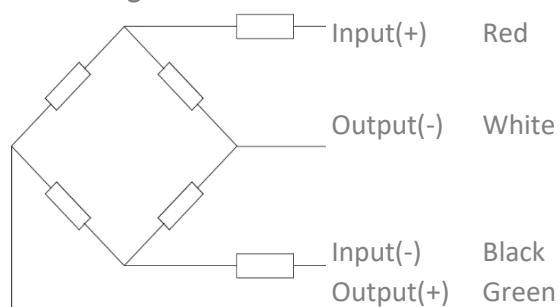
Accuracy class		OIML R60 C3			OIML R60 C4	OIML R60 C5
Output sensitivity (= FS)	mV/V	3.0 ± 0.008				
Maximum capacity (E _{max})	t	0.25	0.5, 1, 2	5	0.25, 0.5	
Max.number of load cell intervals	n _{LC}	3000			4000	5000
Ratio of min. LC verification interval	Y = E _{max} / v _{min}	10000	7500	9000	10000	10000
Combined Error	%FS	≤± 0.0230			≤± 0.0175	≤± 0.0140
Minimum dead load	Of E _{max}	0%				
Safe overload	of E _{max}	150 %				
Ultimate overload	of E _{max}	300 %				
Zero balance	of FS	< ± 1.0 %				
Excitation, recommended voltage	V	5 ~ 12				
Excitation maximum	V	18				
Input resistance	Ω	350 ± 3.5				
Output resistance	Ω	350 ± 3.5				
Insulation resistance	MΩ	≥5000 (at 50VDC)				
Compensated temperature	°C	-10 ~ +40				
Operating temperature	°C	-35 ~ +65				
Storage temperature	°C	-40 ~ +80				
Element material		Stainless steel				
Ingress Protection (acc. to EN 60529)		IP67				
Recommended torque on fixation	Nm	M12: 75		M20:450		
ATEX classification (optional)		II1G Ex ia II1C T4	II1D Ex iaD 20 T73°C		II3G nL IIC T4	

Wiring

Features:

- Shielded, 4 conductor cable
- Cable diameter: Ø5mm
- Standard cable length: 6m
- Shield not connected to element

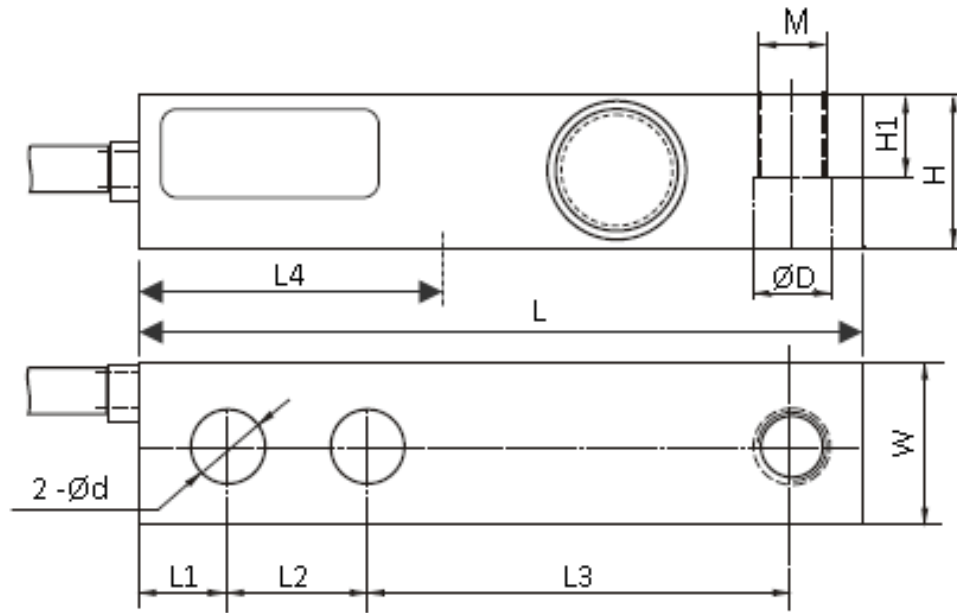
4-wire diagram



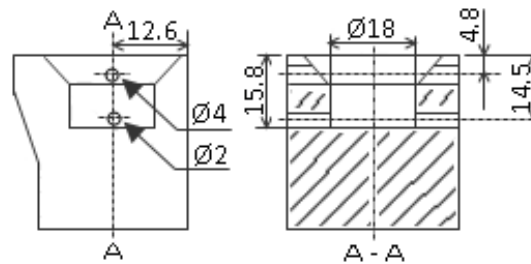
Specifications and dimensions are subject to change without notice and do not constitute any liability whatsoever.

Type B8D Load Cell

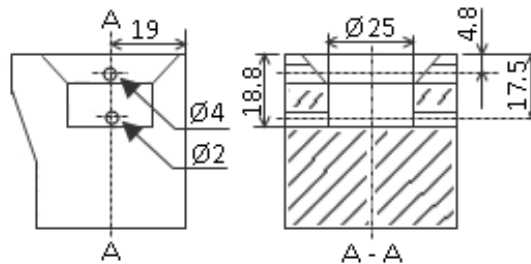
Dimensions in mm



Option W6 version ("T" end loading hole) 250kg-2t



Option W6 version ("T" end loading hole) 5t

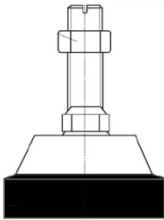
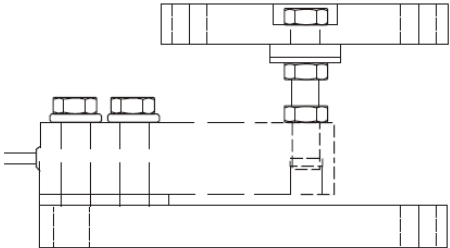
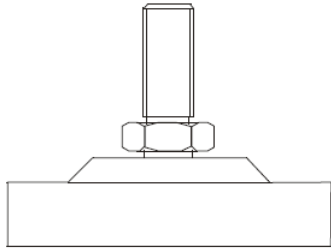
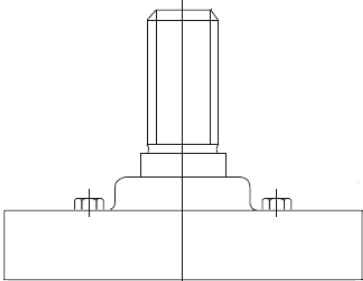
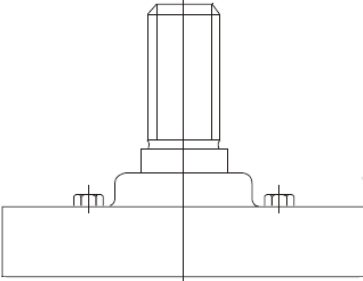
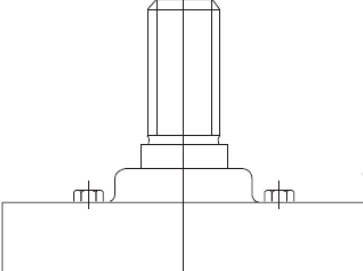


Dimension Capacity	L	L1	L2	L3	d	H	W	D	H1	L4	M
0.25t	130	15.7	25.4	76.2	13.46	30.2	30.7	13.4	14.23	57.15	M12
0.5t-2t	130	15.7	25.4	76.2	13.4	31.32	31.32	13.4	15.57	54	M12
5t	171	19	38.1	95.2	20.65	36.8	36.8	20.65	17.78	76	M20

Specifications and dimensions are subject to change without notice and do not constitute any liability whatsoever.

Type B8D Load Cell

Available accessories

<p>BJ-8-202-0.5-5t foot</p> <ul style="list-style-type: none"> • Ø60-80 and height 92-105 mm • Stainless Steel • Adjustable height 	
<p>BM-8-404-0.5-5t mount</p> <ul style="list-style-type: none"> • Hardened stainless steel components • Compact construction • Using under heavy static load or slight dynamic load • Good ability against corrosive environments 	
<p>BJ-8-215-0.5-2t foot</p> <ul style="list-style-type: none"> • Ø81 and height 48 mm • Easy installation • Adjustable height • Automatically centralized inside • Good ability of anti-side loading • Mainly used for platform scales, floor scales and other electronic weighing devices 	
<p>BJ-8-219-0.5-2t foot</p> <ul style="list-style-type: none"> • Ø80 and height 61 mm • Stainless steel • Easy installation • Automatically centralized inside • Good ability of anti-side loading • Mainly used for platform scales, floor scales and other electronic weighing devices 	
<p>BJ-8-220-0.5-2t foot</p> <ul style="list-style-type: none"> • Ø80 and height 56.5 mm • Stainless steel • Easy installation • Automatically centralized inside • Good ability of anti-side loading • Mainly used for platform scales, floor scales and other electronic weighing devices 	
<p>BJ-8-222-0.5-2t foot</p> <ul style="list-style-type: none"> • Ø80 and height 51 mm • Stainless steel • Easy installation • Automatically centralized inside • Good ability of anti-side loading • Mainly used for platform scales, floor scales and other electronic weighing devices 	

Specifications and dimensions are subject to change without notice and do not constitute any liability whatsoever.